

# CANE CREEK® HELLBENDER BOTTOM BRACKET

PF41 - Pressfit  
30mm Spindle ONLY  
PF41 = 86.5, 89.5, 92, 121, 124, 132

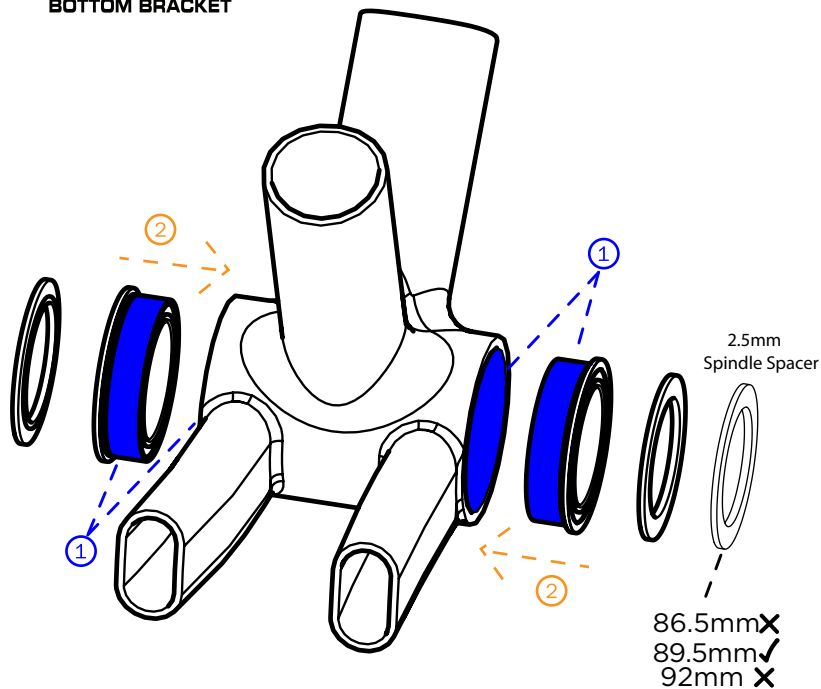
## Installation

### ① Grease

Grasse  
Fetten  
Grasso

### ② Press

Presse  
Einressen  
Pressare



eeWings Cranksets Require (1) Additional Spindle Spacer on the Driveside of the Crank - see eeWings instructions.