

CANE CREEK[®]

HELLBENDER

BOTTOM BRACKET

BSA30 - Threaded

30mm Spindle ONLY
BSA30 = 68mm, 73mm

Installation

① Measure

Mesure
Messen
Misurare

② Grease

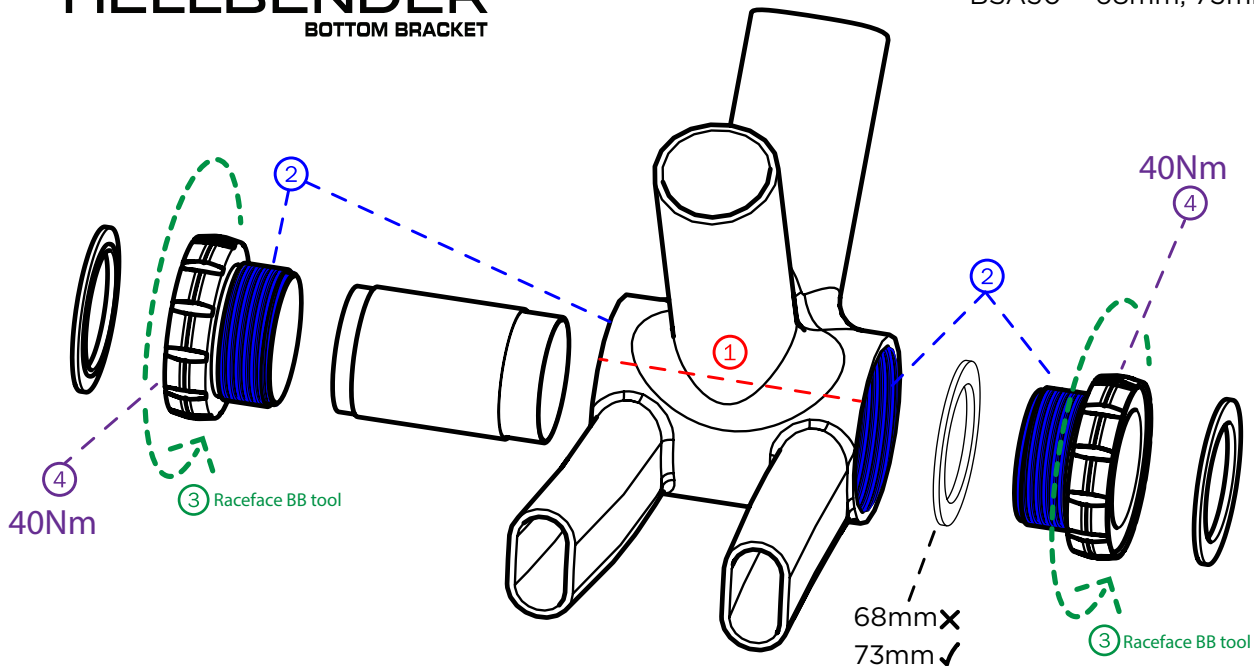
Graisse
Fetten
Grasso

③ Thread

Visser
Einschrauben
Avvitare

④ Torque

Serrer
Festziehen
Serrare



eeWings Cranksets Require (1) Additional Spindle Spacer on the Driveside of the Crank - see eeWings instructions.