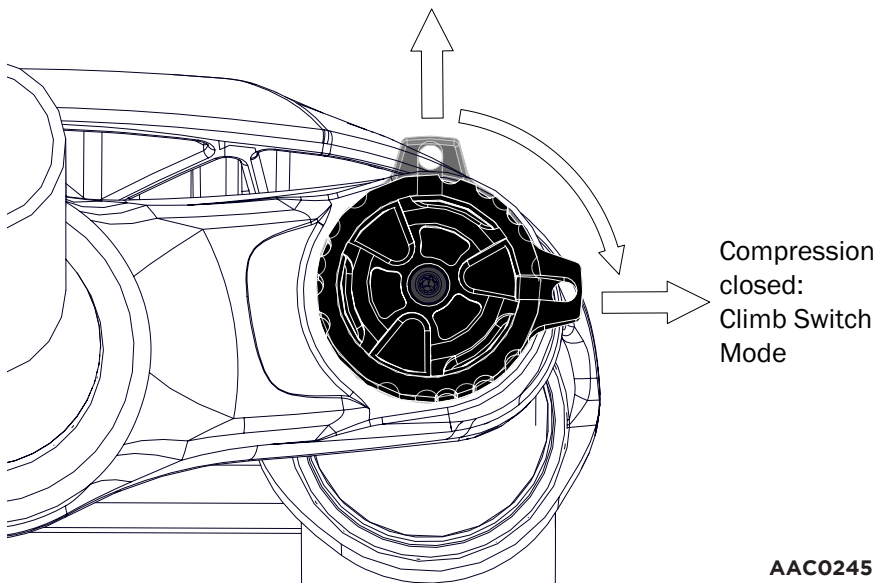




Helm WS130 Climb Switch Feature

The climb switch feature is activated by turning the High Speed Compression adjuster (HSC) clockwise to the position shown below:

Compression all open



AAC0245



Helm WS130 D-Loc Bolt-On Axle

Fasten to 10Nm with a 5mm Hex Key

