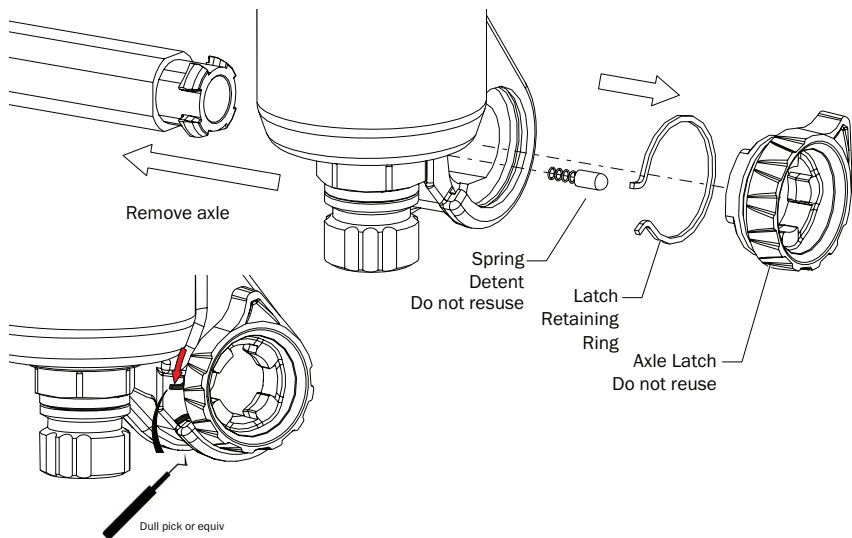




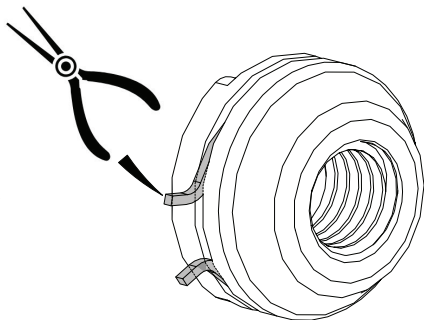
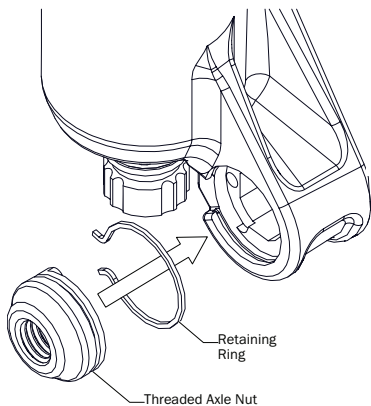
**Congratulations on purchasing your Cane Creek Helm bolt-on axle assembly! There are a few steps required to properly remove your current axle and install the bolt-on version.**

1. Remove the D-Loc axle, then remove the D-Loc Axle Latch by compressing the Latch Retaining Ring and pulling the lock latch away from the fork casting.





2. Reuse the Latch Retaining Ring to install the new Threaded Axle Nut in place of the D-Loc Axle Latch. Squeeze and hold Latch Retaining Ring with small pliers.
3. Install axle into fork and torque to 10Nm.



Squeeze and hold Latch Retaining Ring clip with small pliers

Need a visual explanation? Watch a video of this process at:  
<https://www.canecreek.com/service-videos/>