



Date \_\_\_\_\_

Contact \_\_\_\_\_

Revision \_\_\_\_\_

Brand **Production Privee**

Assembler \_\_\_\_\_

Bike Model **ShanN°5**

Model Year **2018**

### Base Tune

VOLUME SPACERS **L 2 S** RECOMMENDED SAG **14mm**

#### HSC [HIGH SPEED COMPRESSION]



#### LSC [LOW SPEED COMPRESSION]



#### HSR [HIGH SPEED REBOUND]



#### LSR [LOW SPEED REBOUND]



CS Compression Adjuster \_\_\_\_\_ mm CS Rebound Adjuster \_\_\_\_\_ mm

### Shock Type

DB Air CS

### Shock Length

210 mm

### Shock Travel

55 mm

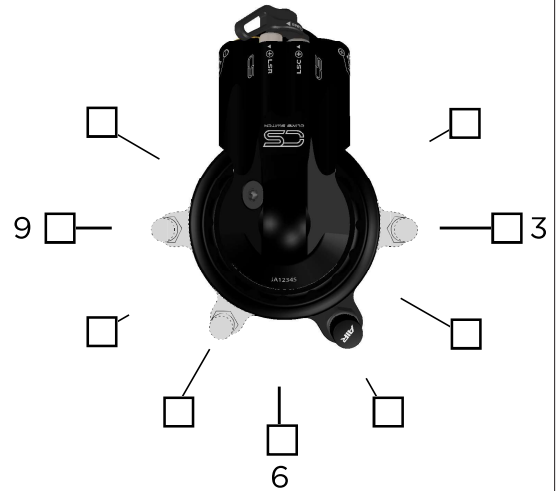
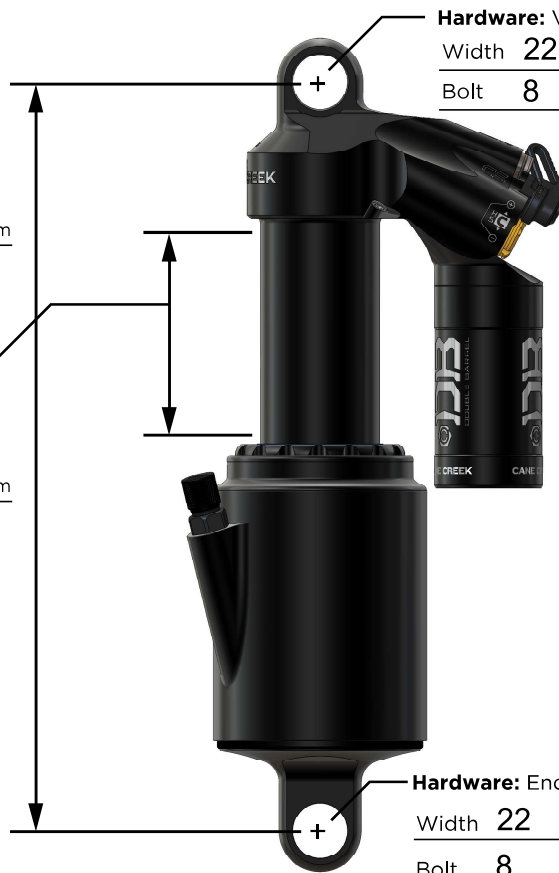
#### Hardware: Valve Body

Width **22** mm

Bolt **8** mm

#### Air Valve Position (please select)

Shock shown is positioned at 5 o'clock



#### Hardware: End Eye

Width **22** mm

Bolt **8** mm

#### Cane Creek Information Only:

Shock Part Number \_\_\_\_\_

Base Tune Card Part Number: \_\_\_\_\_

### Additional Notes

\_\_\_\_\_

Approved By \_\_\_\_\_

Date \_\_\_\_\_