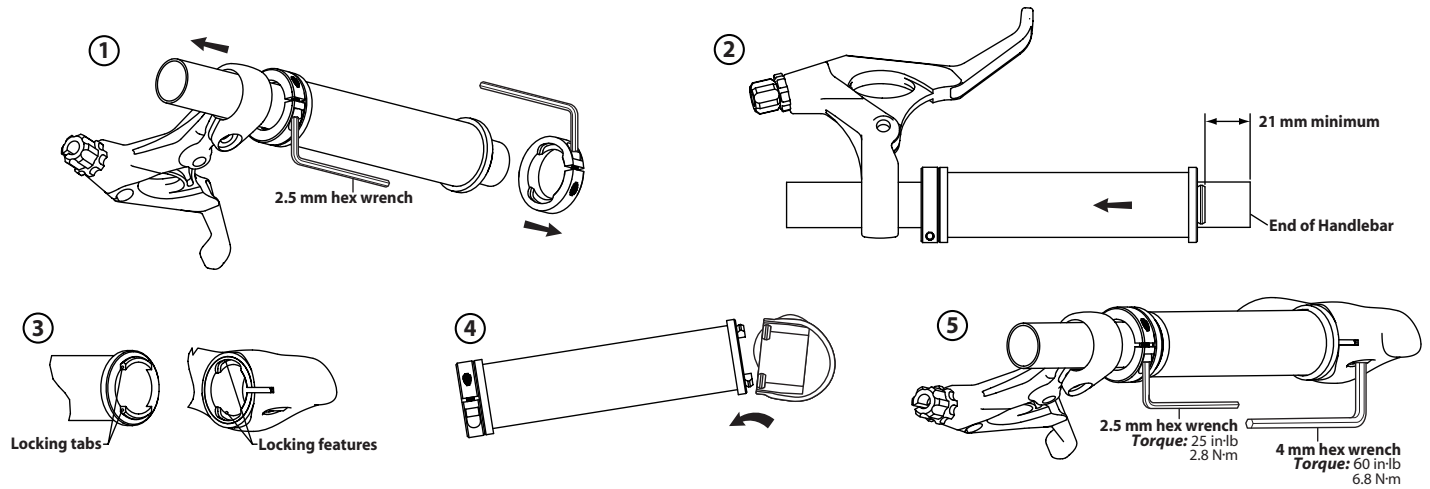


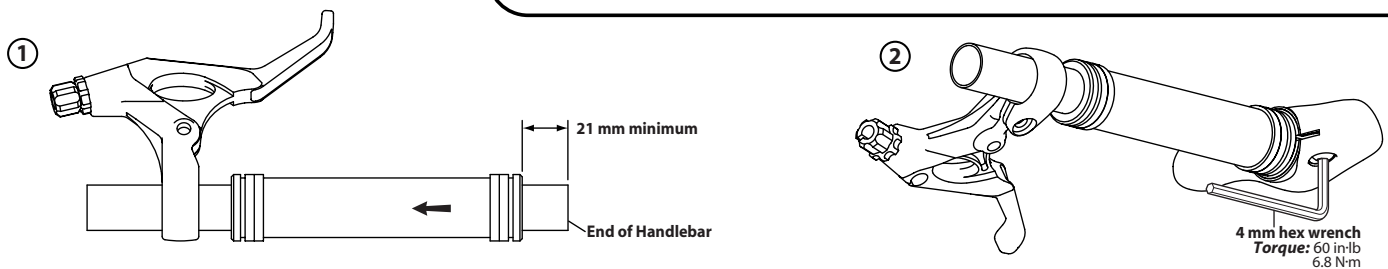


Ergo Control II Bar End Grip Instructions

ODI Lock-On handlebar grips

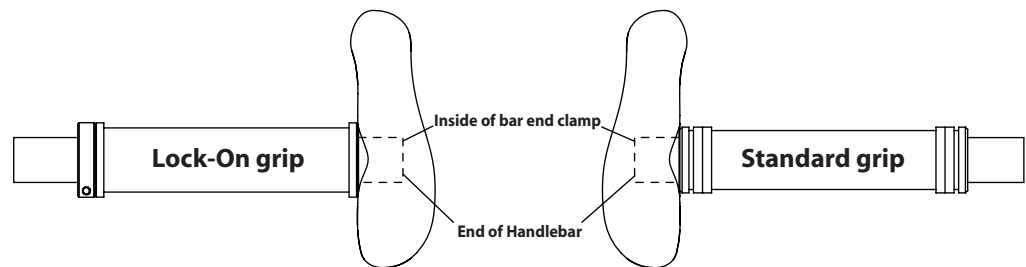


Standard handlebar grips



WARNING!

Failure to fully insert handlebar into bar end clamp (device), may result in serious injury of rider.



WARNING

- Cane Creek Cycling Components suggests that you contact the handlebar manufacturer for installation instructions before installing or using Ergo Control's on any Carbon handlebar. Easton has approved the Ergo Controls for use on their Carbon handlebar.
- Before riding, test tightness of clamp to ensure no movement when pulling/pushing forcefully on bar ends.

WARRANTY

Cane Creek Cycling Components warrants its bicycle products for a period of 1 year from the original date of purchase. Any product that is found to be defective in materials or workmanship will be repaired or replaced at the discretion of Cane Creek. This warranty applies to the original owner only. This warranty does not cover damage or failure resulting from misuse, abuse, alteration, neglect, wear and tear, crash or impact, lack of maintenance or other conditions judged by Cane Creek to be abnormal, excessive, or improper. It is mandatory that a Return Authorization Number (RA#) be obtained by calling Cane Creek before any product is returned. Additionally, a dated Proof of Purchase must accompany the product when returned. (Revised 11.14.2003)



Cane Creek Cycling Components • 355 Cane Creek Road • Fletcher, NC 28732

ph: 828.684.3551 • fax: 828.684.1057 • web: www.canecreek.com • e-mail: info@canecreek.com